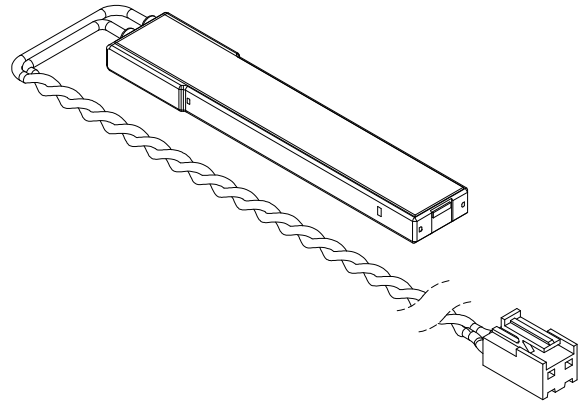
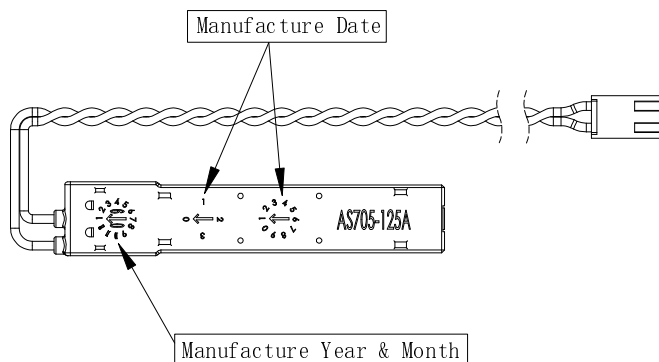
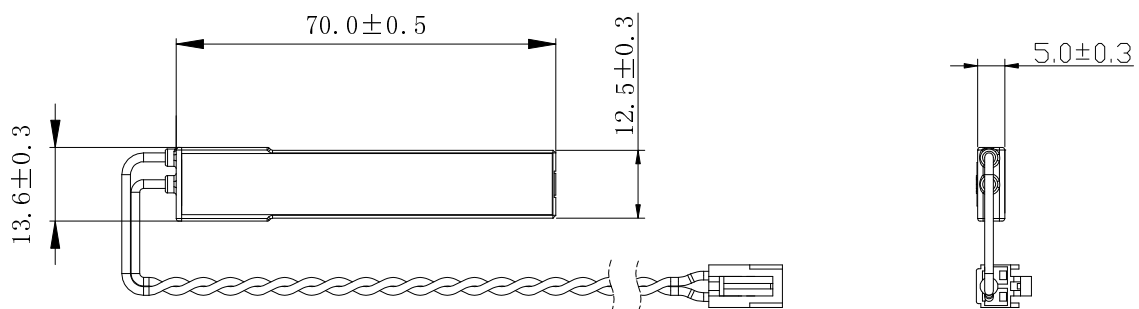


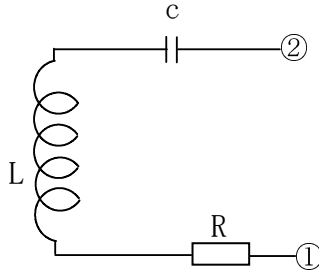
Type: AS705A
◆ Product Description

- * 70.5×13.9mm Max(L×W),5.3mm Max. Height.
- * Operating Temperature: -40°C ~ +85°C.

◆ Feature

- * LF Transmitter antenna.
- * Small size installation space can be saved.
- * Match for TI & NXP IC, resonant frequency be pre-set to 125kHz,134kHz or customization.
- * Meeting protection against water degree IPX4K of ISO20653 by adding water-proof part.
- * Ideally used in keyless smart entry system.
- * Over molding, with/ without harness and connector.
- * RoHS Compliance.


◆ Mechanical dimensions (unit: mm)


Type: AS705A
◆ Schematic diagram


L: Ferrite core coil inductance.

C: Tuning internal capacitor.

R: Copper resistance.

◆ Electrical Characteristics

Part number	Tuning capacitance	Load Q	Resonant frequency	Resonant current	Load resistance
AS705 -125A	332	60.1	125.0 ± 1.5kHz	1.2App	4.7 Ω
AS705-125B	472	52.1	125.0 ± 1.5kHz	2.5App	2.2 Ω
AS705-125C	682	41.7	125.0 ± 1.5kHz	2.8App	2.2 Ω
AS705-125D	822	30.5	125.0 ± 1.5kHz	2.4App	3.3 Ω
AS705-125E	103	26.3	125.0 ± 1.5kHz	2.6App	3.3 Ω
AS705 -134A	332	65.2	134.2 ± 1.5kHz	1.2App	4.7 Ω
AS705-134B	472	63.8	134.2 ± 1.5kHz	2.5App	2.2 Ω
AS705-134C	682	36.3	134.2 ± 1.5kHz	2.9App	2.2 Ω
AS705-134D	822	30.5	134.2 ± 1.5kHz	2.5App	3.3 Ω
AS705-134E	103	25.8	134.2 ± 1.5kHz	2.6App	3.3 Ω
AS705-20K	334	3.26	20 ± 1.5kHz	2.2App	3.3 Ω

* It is possible for customer specification at harness length and connector form.

* It is possible for other frequency.

◆ Packaging specification

* Using plastic tray packaging.

* Outside carton dimension: 500mm X 300mm X 175mm.

* Packaging Q'ty: 120pcs/carton.